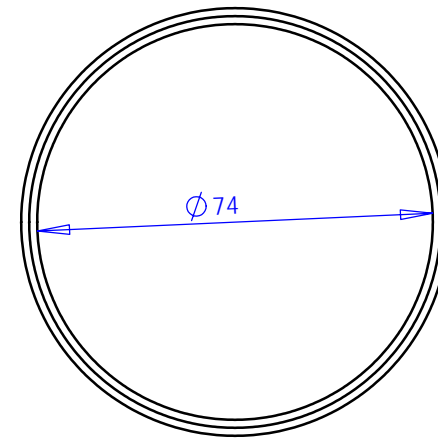
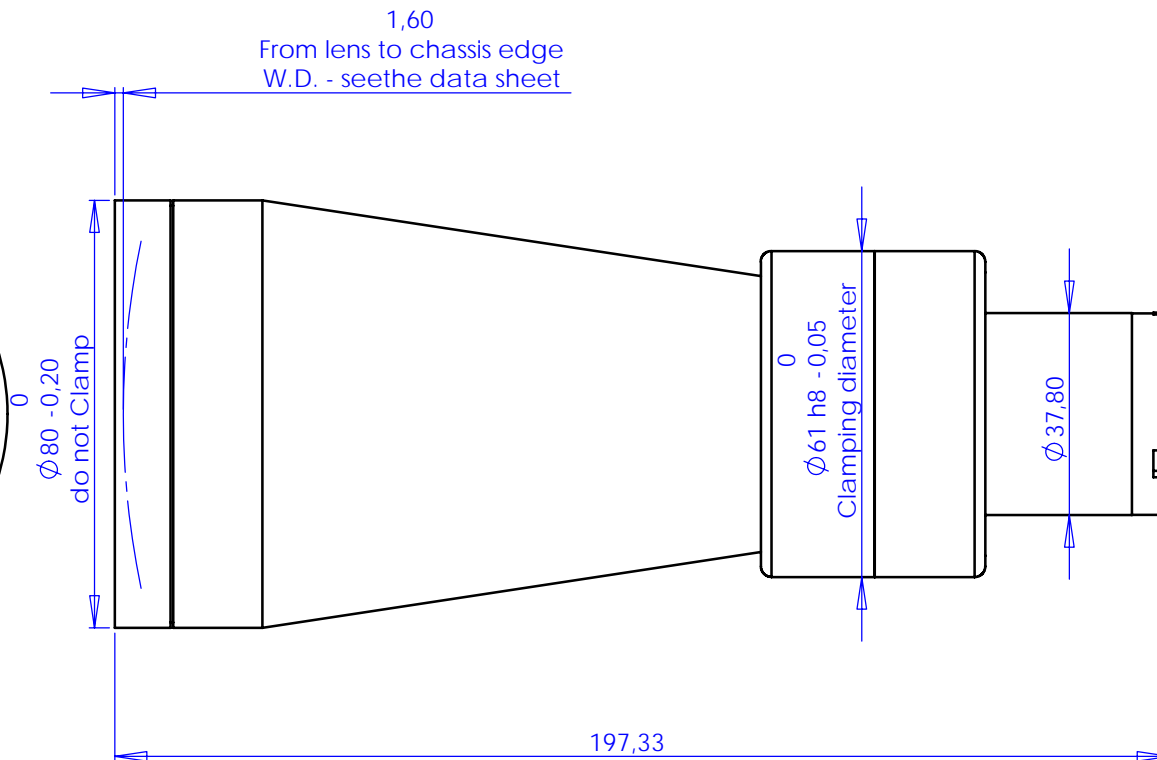
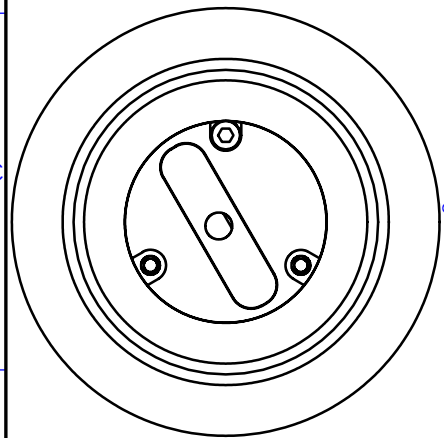


Rev No.	Description	Date	Name
D	First Sight	27/02/07	A. Bnà



Material	N.A.			Mass	Scale	2:1
Surface treatment	N.A.			Project-Prod. Item/Instrument LT CL 56		
Geometrical tolerance (ISO 2768-2)			Class	K	Description	
Linear tolerance (ISO 2768-2)			Class	m	Undimensioned bevels	1x45°
0.5	>3-	>6-	>30-	>120	>400-	>1000
+3	6	30	120	+400	1000	+2000
±0.1	±0.1	±0.2	±0.3	±0.5	±0.8	±1.2
					Undimensioned radii	R 0.5
					Date	Name
					Designed	27/02/07 A. Bnà
					Draw	27/02/07 A. Bnà
					Checked	X C. Sedazzari
					Drawing No.	13669-0-D-LTCL56
					Sheet	1/1
OPTO ENGINEERING S.r.l. - 46100 Mantova Italy - Via Cremona, 28 - Tel/fax +39 0376 229585 - e-mail: info@opto-engineering.it - http://www.opto-engineering.com						

